



# 99Plus Key Management System Installation Guide

Professional Installation Instructions  
V1.0



## 1. Site Planning

Proper positioning of the key cabinet is a critical part of the installation process. Careful planning is highly recommended to ensure safe and efficient daily operation.

- **Users** - Consider who will regularly access the system.
- **24/7 Accessibility** - Install the cabinet in a location convenient for authorized users.
- **Security** - The system is designed for key control and management rather than high-security storage. The installation environment should therefore be protected and preferably covered by CCTV monitoring.
- **Indoor Use** - The cabinet should be installed in a dry indoor environment and must not be exposed to outdoor conditions.
- **Wall Strength** - The 99Plus system may be heavy and requires a strong solid wall for secure mounting.
- **Additional Factors** - User height, accessibility requirements, sunlight exposure, and environmental conditions should also be considered.

## 2. Preparation

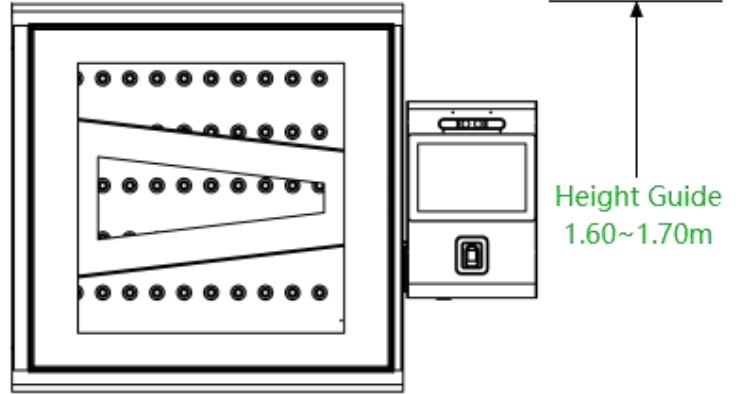
Before installation, please ensure the following equipment and conditions are prepared:

- Main power supply.
- Wall mounting accessories provided with the system.
- Suitable installation tools including hammer drill, drill bits, screwdriver, level ruler, marker, and network crimping tools.
- Network connection. If Ethernet communication is required, an RJ45 wall outlet should be installed nearby.

### 3. Installation Procedure (V1-M Example)

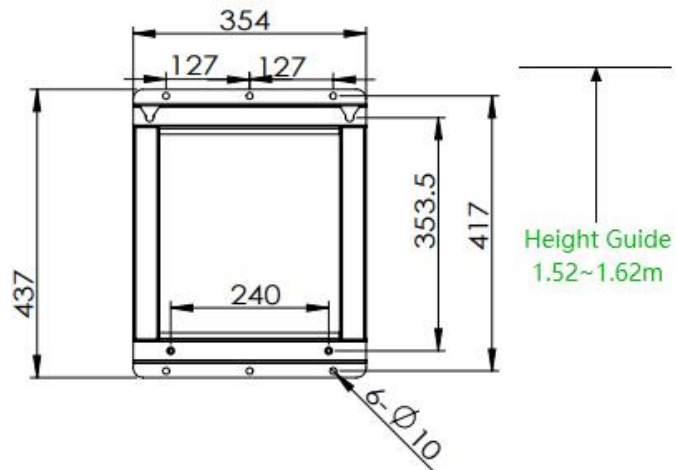
#### Step 1

Position the cabinet on the selected wall location. As a reference, the top of the cabinet should be approximately 1.60 - 1.70 meters above floor level and within 1 meter of the main power outlet.



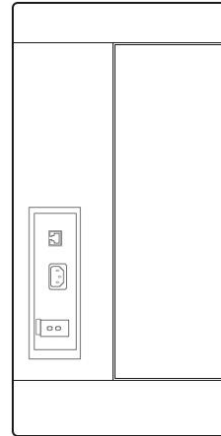
#### Step 2

Mark and drill six mounting holes. Secure the wall bracket firmly using appropriate wall fixing hardware.



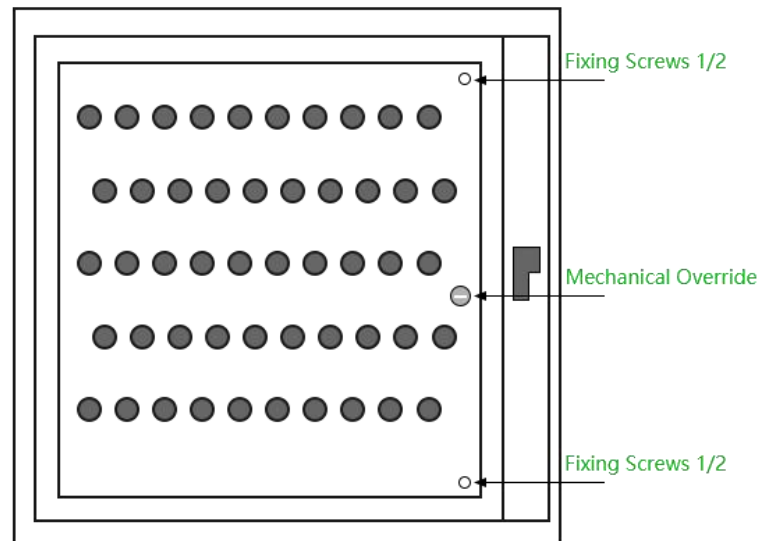
### Step 3

Connect the power supply and Ethernet cable (if applicable). Carefully hang the cabinet onto the wall bracket.



### Step 4

Open the cabinet door, remove the fixing screws, and unlock the key panel using the master key.



### Step 5

Secure the cabinet firmly onto the wall bracket to complete the installation.

